

MATERIALS FINISH MODULES

MATERIALS

Thor is built on a strong and rigid steel frame. When it comes to its 22 mm thick desktops, you can choose between durable and easily maintainable melamine-coated boards and natural veneer boards that truly exude warmth. Thor's drawer units are made of 19 mm boards, and the screens separating the workstations are covered in natural cork linoleum.

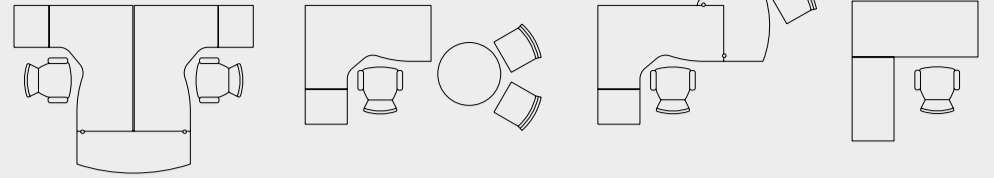
FINISH

The steel constructions of the workstations are finished either in light and airy white or in an elegant dark grey. The desktops come in four colours - bright white, warm basalt grey, colder steel grey and olive green - but a more exclusive solution is to cover your Thor desktop in natural wood veneer. You can choose from a beautiful light maple, yellowish whiskey on maple, brownish cognac on maple or a luxurious oak veneer stained in white or blackish-brown. The drawer units are available in light or dark grey, and also in white.

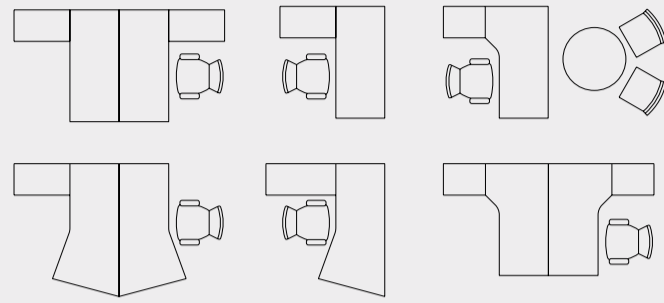
FINISH	DESKTOP	DRAWERS	DESK SHELF	MODESTY PANEL	SCREENS	METAL DETAILS
	melamine	melamine	melamine	melamine	corklinoleum	RAL powder coating
WHITE					*	
LIGHT GREY	*		*		*	*
GREY	*	*	*	*		
DARK GREY	*				*	*
STEEL GREY		*	*	*	*	*
BASALT GREY		*	*	*	*	*
OLIVE GREEN		*	*	*	*	*

FINISH	DESKTOP	DESK SHELF	MODESTY PANEL
	veneer	veneer	veneer
MAPLE			
MAPLE WHISKEY			
MAPLE COGNAC			
OAK WHITE			
OAK COFFEE			

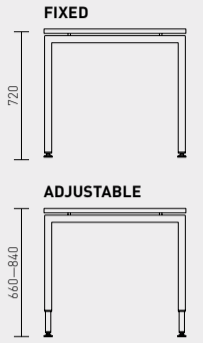
WORKSTATIONS 800



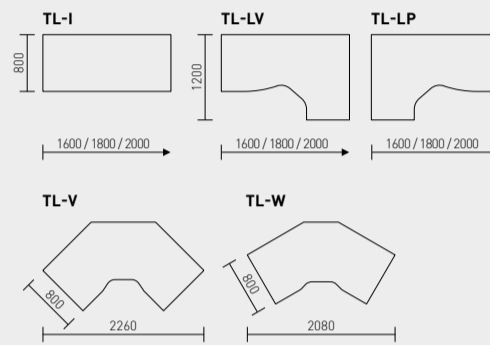
WORKSTATIONS 700



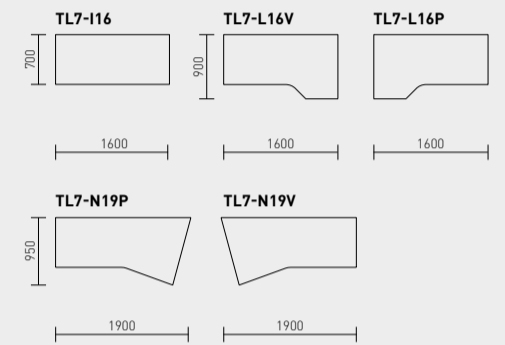
LEGS



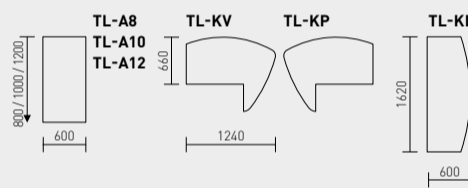
WORKSTATIONS 800



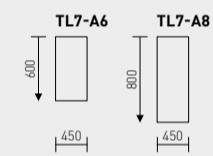
WORKSTATIONS 700



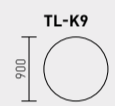
SIDE SURFACES 800



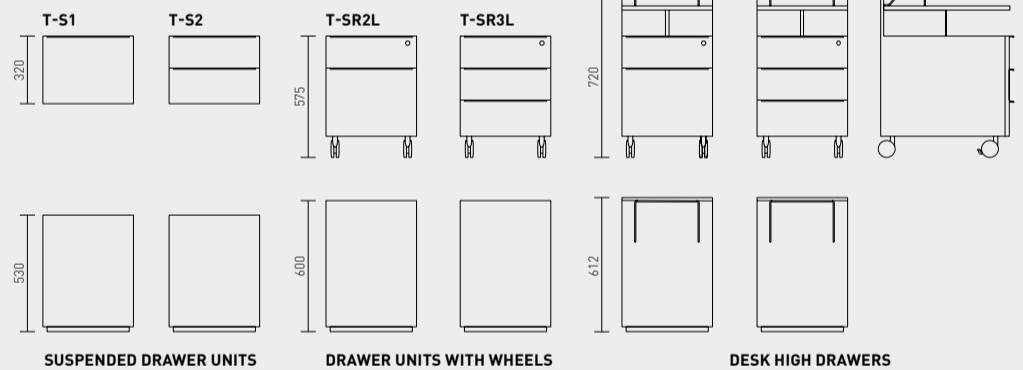
SIDE SURFACES 700



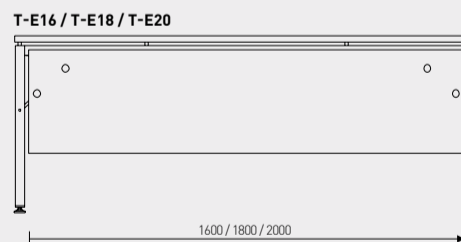
CLIENT DESKS



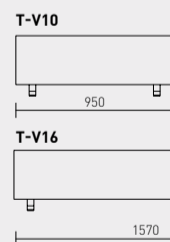
DRAWER UNITS



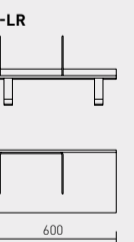
MODESTY PANELS



SCREENS



DESK SHELF



MODULES

A Thor workstation is mounted around a desk resting on a frame. The workstation is extendable on the same level by using side surfaces or client desks. The entire workstation is connected by a strong steel construction that runs through the desk base. You can choose from an adjustable footing of 660-840 mm or from a fixed height footing of 720 mm.

There are six types of desktops to choose from: regular rectangular desks, L-shaped desks with extending computer workstations, workstations with wider client desks and workstations that can be used for forming clusters of three or four workstations. In addition to the traditional 800 mm deep desks, there are also 700 mm desks for creating smaller, modern workstations.

Thor's drawers come in three types: suspended drawers mounted below the side surface, drawer units with wheels that fit under your desk, and drawer units that come in the same height as the desk and can be placed next to it. The workstation also includes a desk shelf with file storage, screens and a modesty panel for hiding the space under your desk.

thulema

